

ADMIN ONLY

Customer:

Project No:

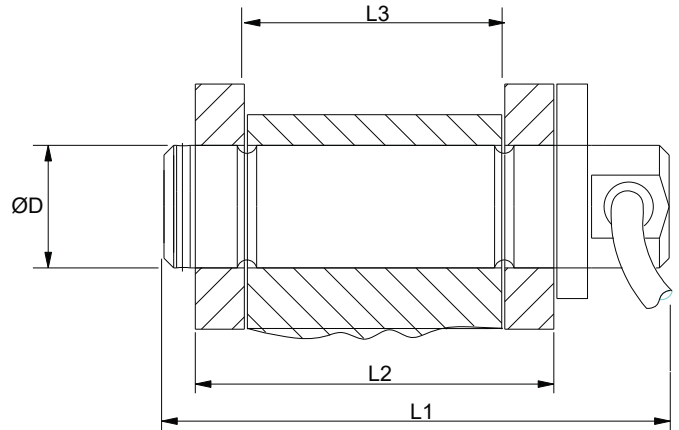
## Load Pin Questionnaire

Most load pins are specially designed to fit a specific application or installation.

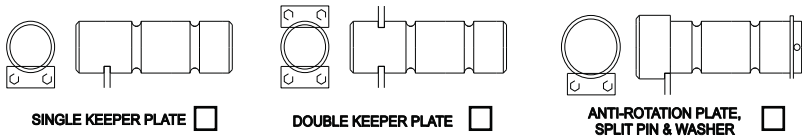
To enable us to offer you the best solution we have devised this questionnaire so that you can provide us with the most important information for either quotation or design purposes.

Please complete each of the sections below:

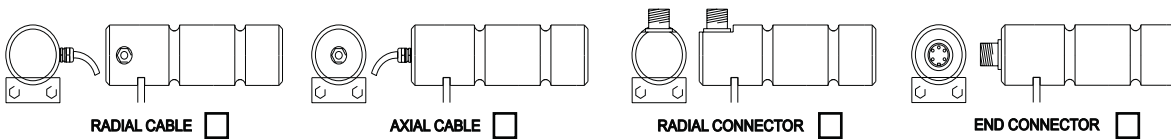
1. Load pin WLL  tonne.
2. Displayed range if any mechanical advantage  tonne.
3. Load pin dimensions: D=  mm  
L1=  mm  
L2=  mm  
L3=  mm



4. Load pin locking method (please select appropriate box)



5. Load pin cable/connector arrangement (please select appropriate box)



6. Cable length (metres)  or wireless?
7. Environmental protection IP/NEMA rating
8. Hazardous area (e.g Gas)? yes\*  no  Zone: 0,1 or 2?
9. Brief application description:

10. Quantity required  pieces
11. Instrumentation required  yes / no
12. Target price